

SEMAC-S3-V3

V1.0

INSTALLATION HW 1.0

A. Package content

- Controller x 1, Warranty card x 1, Installation Guide x 1
- Accessory kit x 1 (Screw x 4, Spacers x 4)

B. Installation

- Physical Dimension: 138 x 114 x 27 mm
- Recommended: Cable with shielded, Linear DC power

■ Specifications

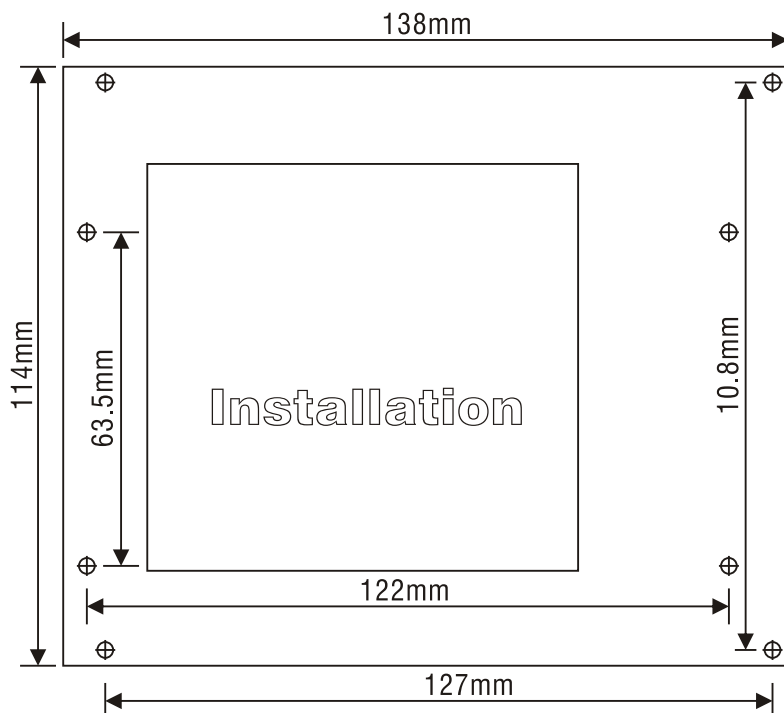
- Voltage Range: 9~24 VDC
- Controller Power Consumption: 180mA
- Power Recommend: 500mA
- Max Distance for RS485: 1000M

■ Notice

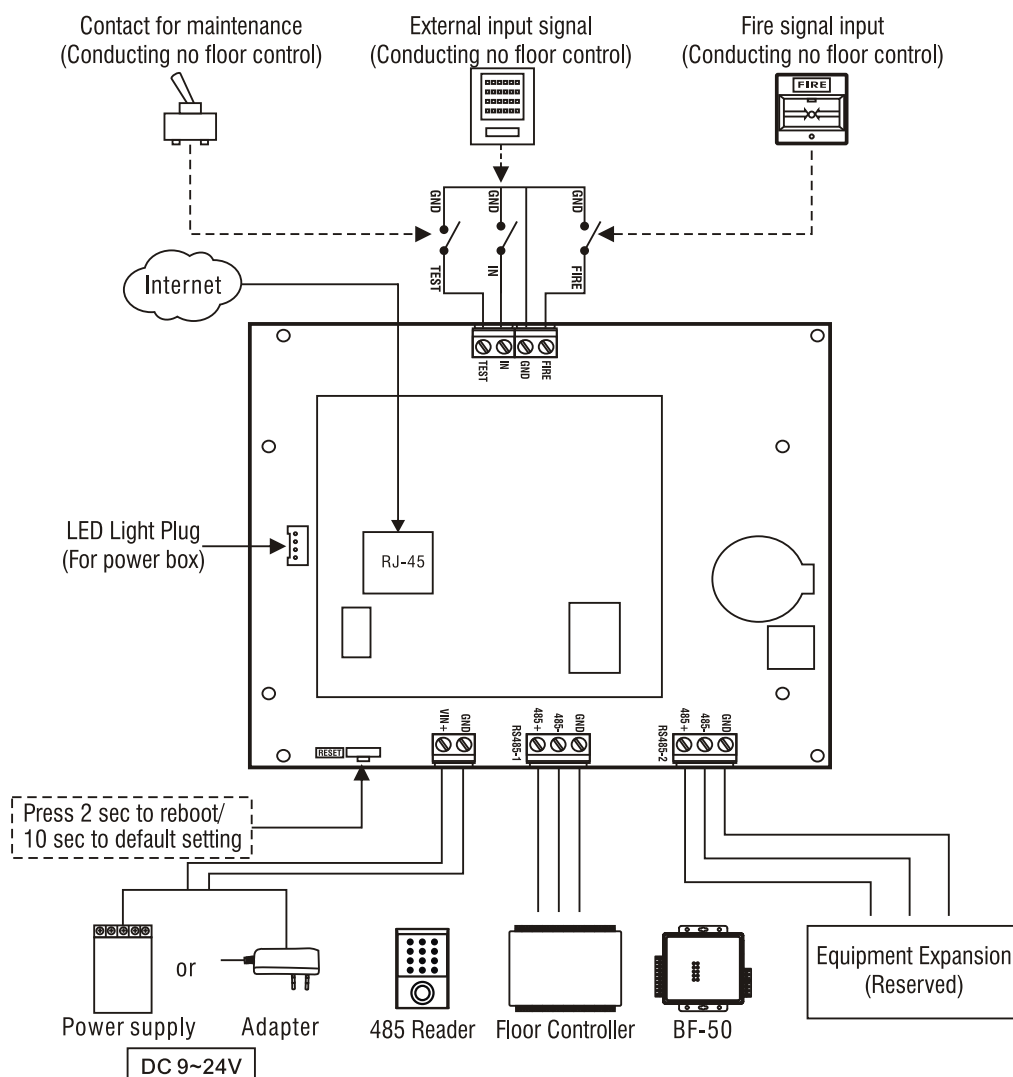
- Do not connect other cables to the power unit except power contacts.
- Do not apply any unverified power supply to the unit. (Might cause hardware damage and system unstable)

■ Optional

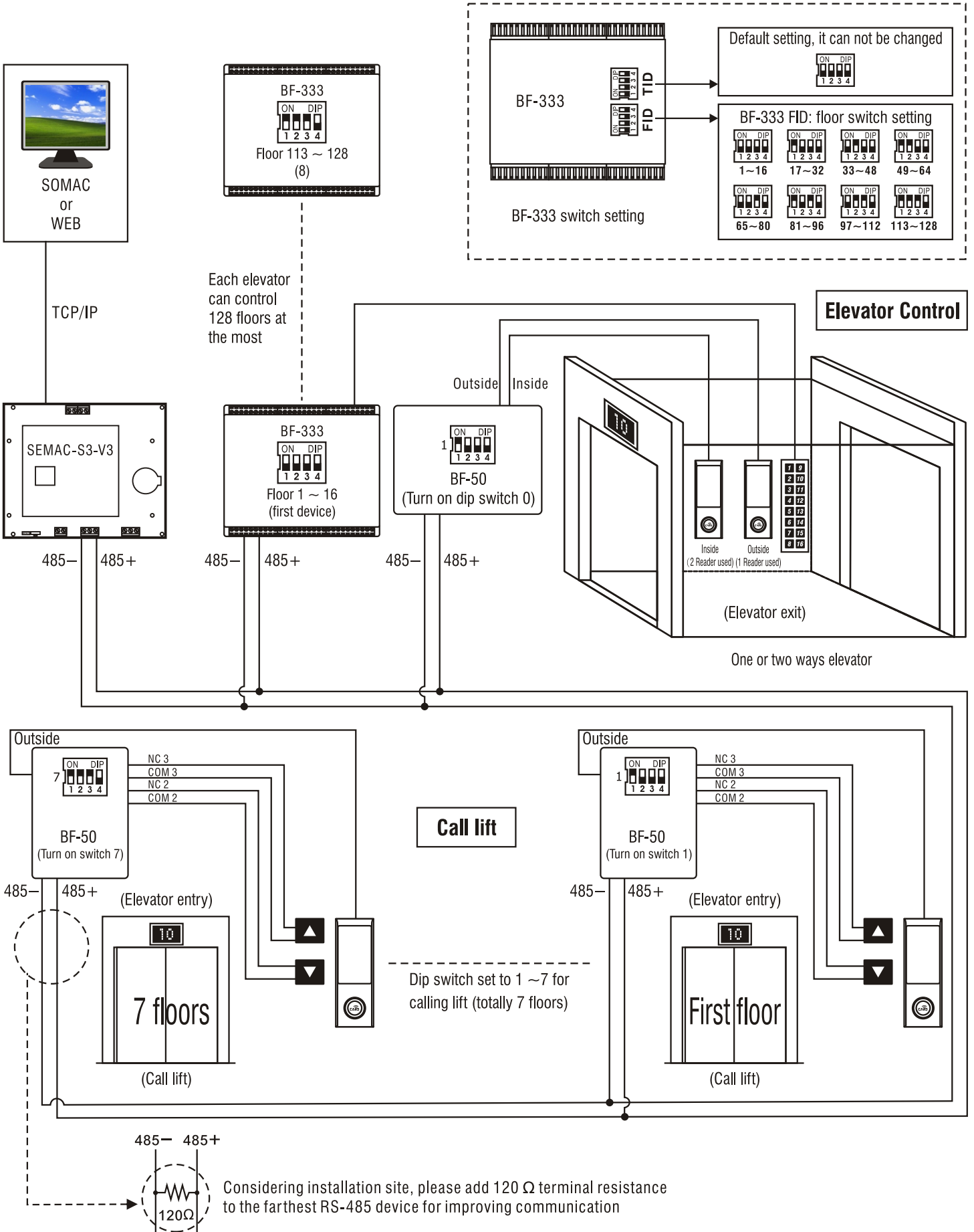
- Special Case



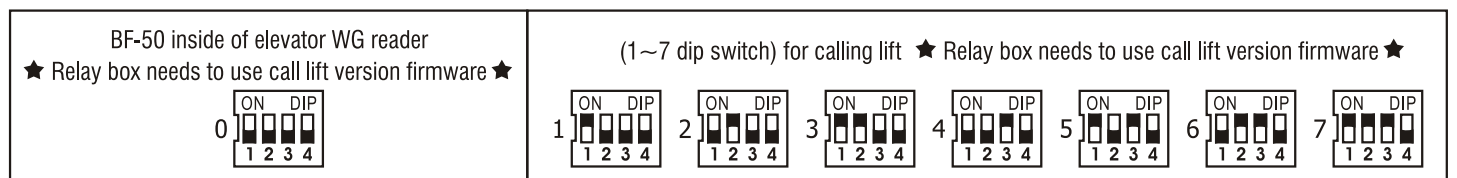
C. Contact Guide



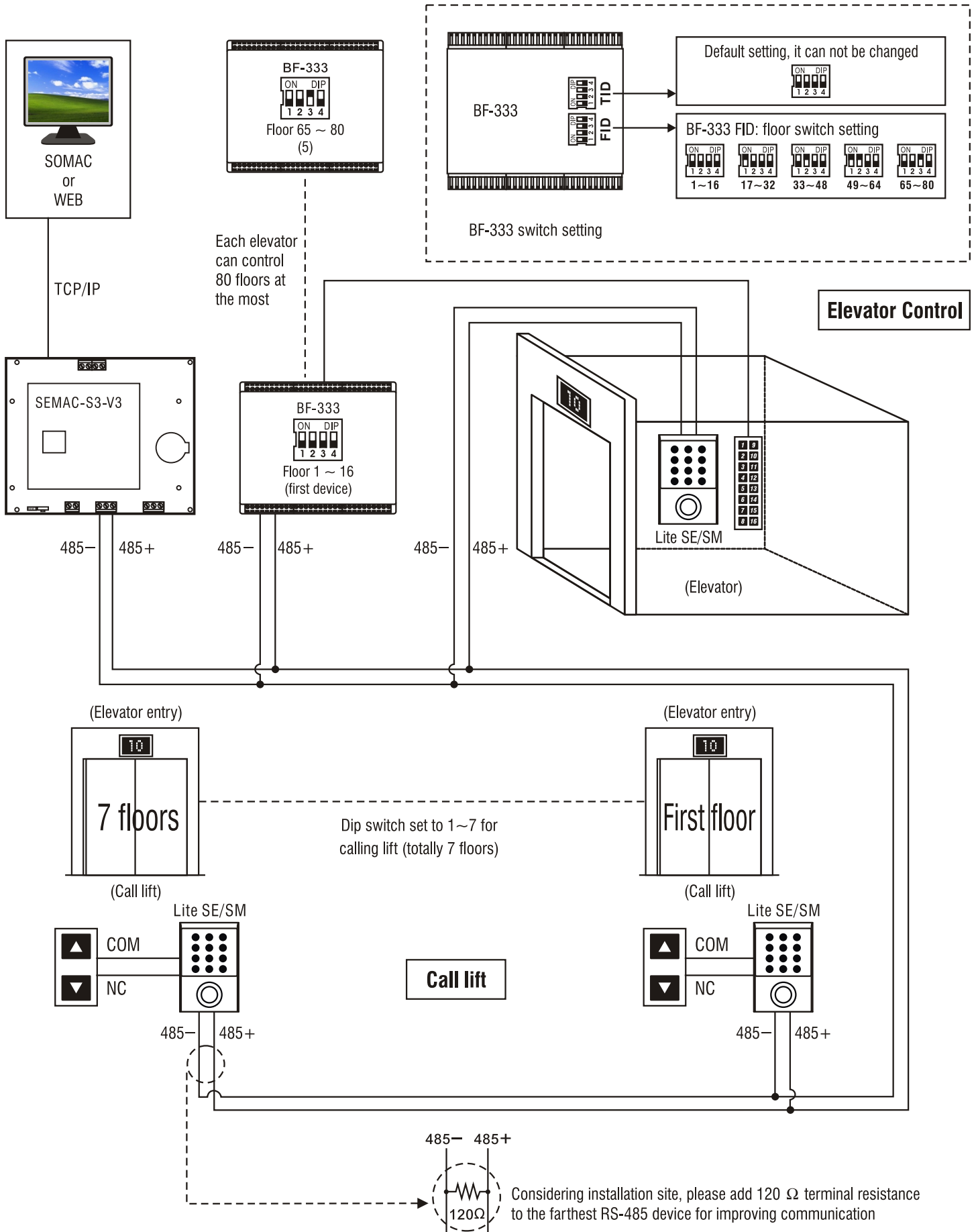
E. System connection (WG Reader Application Architecture)



F. BF-50 switch setting



G. System connection (485 Reader Application Structure)



H. WebPass Lite SE/SM TID Setup

Manually input TID code from Webpass Lite keypad : * * # # (0~7)

When TID has setup, it is necessary to access SEMAC-S3 web server to save and activate TID information on the system by pressing "Search BF-50/BF-333" button.

Input code	0	1	2	3	4	5	6	7
	For Floor Security only				For Hall-Call only			