

# AR-321-H Illuminated Touch-Panel & Metal Access Controller



Ingress Protection : IP56

Indicators: 3 LED and 1 beeper

Weatherproof design, can be used in any environment

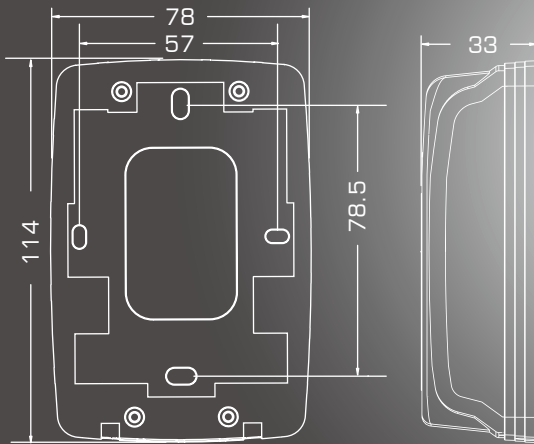
TTL serial output for various application and lift control

Illuminated Touch-Panel design for easy operation at any dark site

Patented Relay design can avoid the door opened by any vibration or mis-trigger



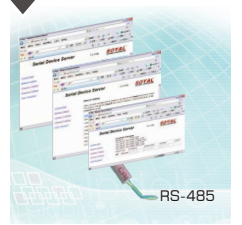
## Dimensions (mm)



## Networking Center Control



## Networking / Time attendance



## Application

### Treasury Management



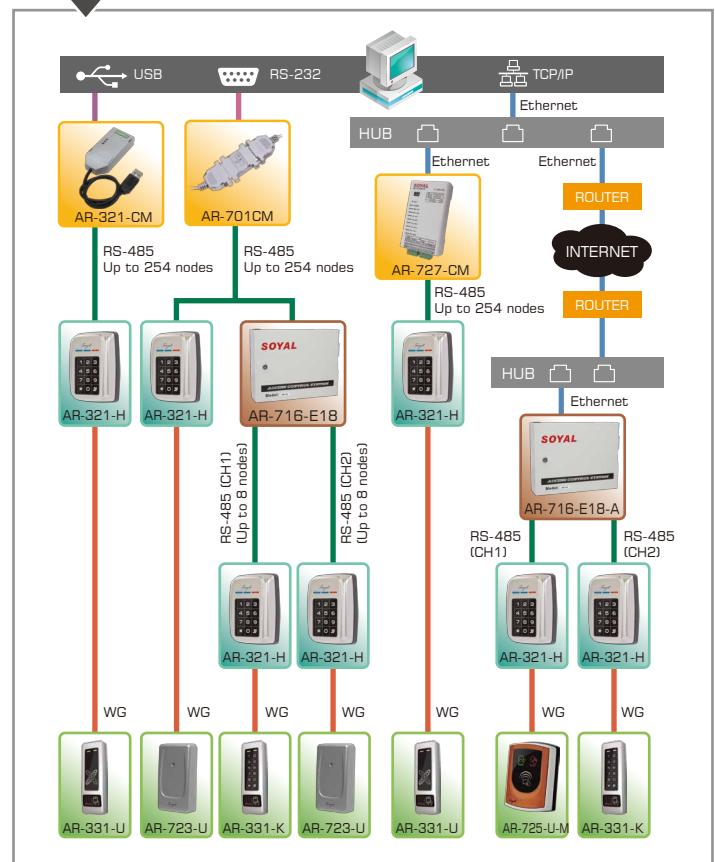
### Access Control



## Specification

Frequency	125KHz	13.56MHz
Standard	EM Standard	ISO14443A Option ISO15693 DESFire PSAM NFC
Reading Range ( Depends on Tags )	3-7cm	1-3cm
Power Supply	9-24VDC	
Power consumption	<5W	
Communication Interface	RS-485	
Baud Rate	9600 bps(N,8,1)	
Temperature	-20°C to +65 °C	
Digital Input	Egress(R.T.E.) / Door contact	
Relay Output	Lock Relay	
Lock Relay Time	ON/OFF, 0.1-600 Sec.	
Alarm Time	Toggle, 1-600 Sec.	
Tamper Switch	Limit Switch (Form C)	
User Capacity	M4/M8	3,000
	M6	65,000
Event log	M4/M8	1,500
External Reader	1 Wiegand Port	
Anti-pass-back	Yes ( M4/M8 Only )	
Lift Control	32 Floors, 3,000 Users	
Serial port	Yes	
LCD Panel	No	
Transistor Output	Arming LED (or Security trigger signal) / Alarm / Duress	
Ingress Protection	IP56	
Indicator	3 LED & 1 Beeper	
Keypad Material	Illuminated Touch-panel	
Housing Material	Zinc Alloy	
Time Zone	11/63(Connect to Multi-Door Networking Controller)	
Operation Mode	Standalone/ Networking	
Color	Chrome	
Dimensions (mm)	114(L)X78(W)X33(H)	
Weight (g)	290±10	

## Structure



## Diagram of single door control

