

Content

AR-1207A-36-5065/5085

Product [Electric Bolt Lock]



Specification

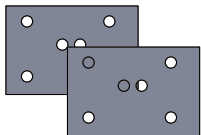
- Voltage: DC12V-24V
- Current Draw: 1A(12V) / 0.5A(24V)
- Power Saving Mode: 220mA (12V) / 110mA (24V)
- Operating Temperature: 0°C ~ +65°C
- Locking Mode: Type A (Fail Safe)
- Dropbolt Length : 16 mm
- Dimension: AR-1207/36: 205Lx32Wx32H (mm)
- Solenoid Test: Over 500,000 times
- Weight: 500g

Features

- Support any brand of sliding door in the market, built-in relay module that specifically made for automatic sliding door lock.
- Suitable for wide and narrow aluminum extrusion track of automatic sliding door.
- Built-in specialized firmware made for automatic slide door.
- Built-in door position status output to indicates door opened or closed position [Door Status]
- Built-in Bolt status output to Indicate locked or unlocked bolt status [Bolt Status]
- Built-in bolt tamper-resistant indicator and alarm output contact [Alarm]
- Support all range voltage DC12V~24V
- Time delay option 0 / 3 / 9 seconds

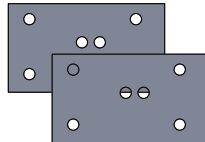
Product Information

1 Lock installation parts

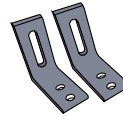


Fixed Plate 50mm x 65mm(AR-BA-5065) 2units

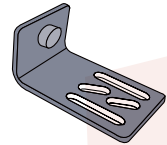
or



Fixed Plate 50mm x 85mm (AR-BA-5085) 2units



L Type Bracket 2units



Door Stopper Bracket

2 Connector Cable



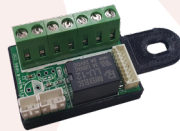
CN2

9PIN Connector Cable (CN2)
3PIN Connector Cable (CN3)



CN3

3 Automatic Sliding Door Relay



4 Screw Set



X10

5mm*10mm Phillips Flat Head Screws x10



X6

5mm*10mm Phillips Flat Head Screws w/ Flat Washer x6

Wiring Diagram

CN1 Terminal Connector

Wire Application	Contact	Description
Automatic Sliding Door Controller	N.O.	(N.O.) DC24V1Amp
	N.C.	(N.C.) DC24V1Amp
	COM	(COM) DC24V1Amp
Push Button (or IR Sensor / Remote Controller)	PB-	Power DC 0V
	PB	Negative Trigger Input
Power	V+	Power DC 12-24V
	V-	Power DC 0V(GND)

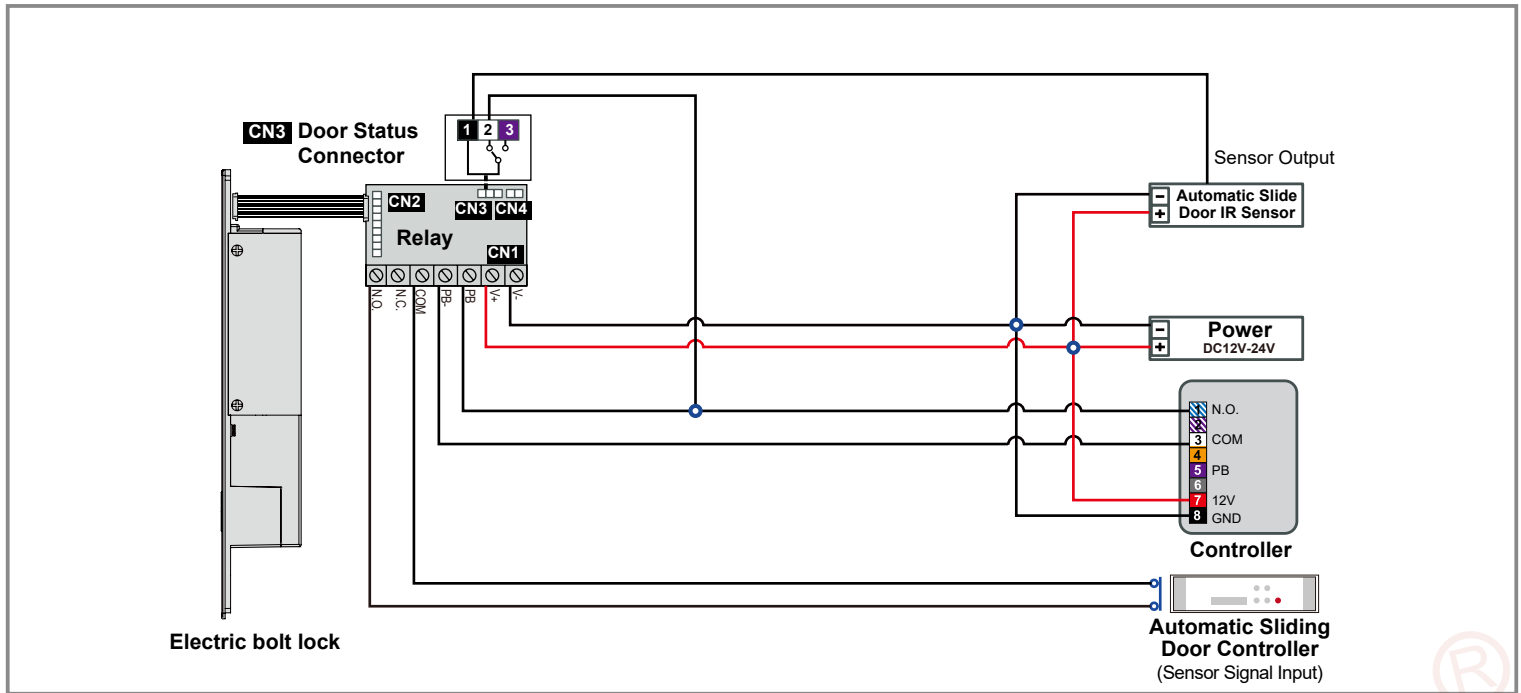
CN3 Door Status Connector

Wire Application	Wire	Color	Description
Door Status	1	Black	COM
	2	White	N.C. (When door opened, connect to COM)
	3	Purple	N.O. (When door closed, connect to COM)

CN2 Relay to Lock Body Connector Cable

Wire Application	Wire	Color	Description
DSS (Door Sensor Status)	1	White	Door Sensor Status (COM)
	2	Purple White	Door Sensor Status (N.C.)
	3	Blue White	Door Sensor Status (N.O.)
LSS (Lock Sensor Status)	4	Orange	Micro switch volt-free contact output.
	5		Door locked short circuit, door unlocked open circuit
PTE (Push to Exit)	6	Purple	Negative Trigger Input
Alarm Output	7	Gray	Transistor open-collector output, Max 24V/110mA Alarming output LOW, normal status or power fail high impedance
Power	8	Red	Power DC 12-24V
	9	Black	Power DC 0V(GND)

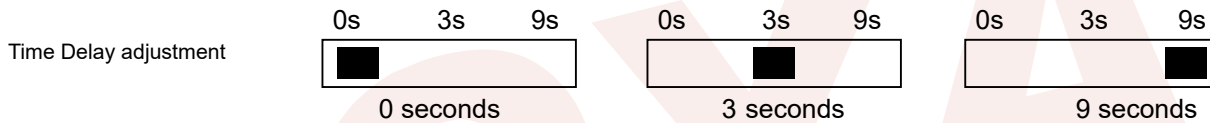
CN4 Reserved



Manual

Time Delay

Time delay option: 0, 3, 9 seconds; Total three time delay selection.



Power On

When power on, to avoid door starts detecting and moving, here are following operation procedures: when power on, if the door status is close, lock bolt dropping will delay in 10 seconds; if the door status is open, lock bolt will drop depending on the Time Delay setting once the door status switches to close.

Waiting to Lock

When power on, sensor will detect "Door Status Open". When Automatic Sliding Door is closed, sensor will detect "Door Status Close", and lock bolt will drop depending on the Time Delay setting.

Functions Mode

Once the Automatic Sliding Door Lock receives "Open Door" command, bolt will retract. After inner sensor detects bolt, it will send "Auto-Open Door" signal to open door. "Auto-Open Door" signal will trigger the relay on lock to open Automatic Sliding Door.

Status Indicators

Bolt and LED identification as following chart

Indicators	LED Indicator	Door Status	Bolt Status
Standby (waiting for locking)	LED lights up RED	Open	Open
Door Locking Time Delay	RED and GREEN LED flash alternately, flash continuously every 0.5 second	Close	Open
Locked Well	LED lights up GREEN	Close	Close
Fail to Lock	RED and GREEN LED flash once every 0.2 second	Close	Open
Keep Locking	Locked once every 2 seconds	Close	Open
Abnormal Door Status or Bolt Status	Flashing RED LED	Trigger	Trigger

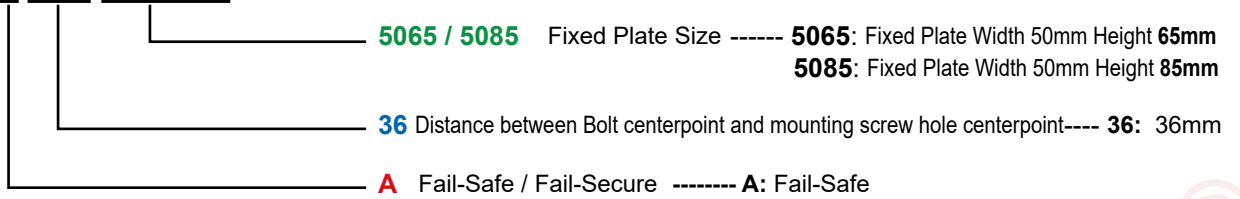
Troubleshooting

- 1) After "Fail to lock", the bolt will enter into "Keep locking" mode and relock once every 2 seconds. It will keep flashing red LED until the door is in correct position and completely locked, it will turned into green LED and will enter power saving mode. If the door status signal is turned off, it will flash red LED and enter standby mode
- 2) When forced entry is occurring and break open the lock tongue, it will send alarm signal and will quick flash red LED, until a personnel come back and review it.
- 3) Please check V(+) and V(-) wiring when LED doesn't light up.
- 4) It is suggested to use 12V 1000mA or more for power supply. If the power supply is insufficient, the drop bolt possibly keep projecting and retracting.

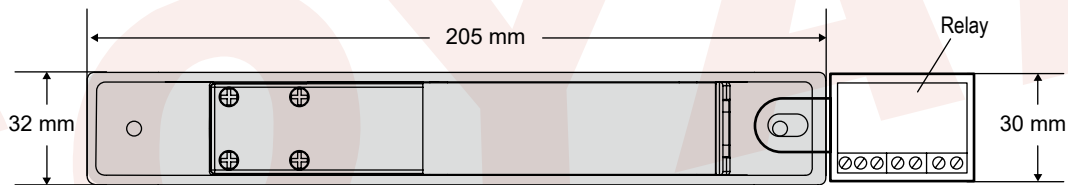
Installation

Ordering Model Name Description

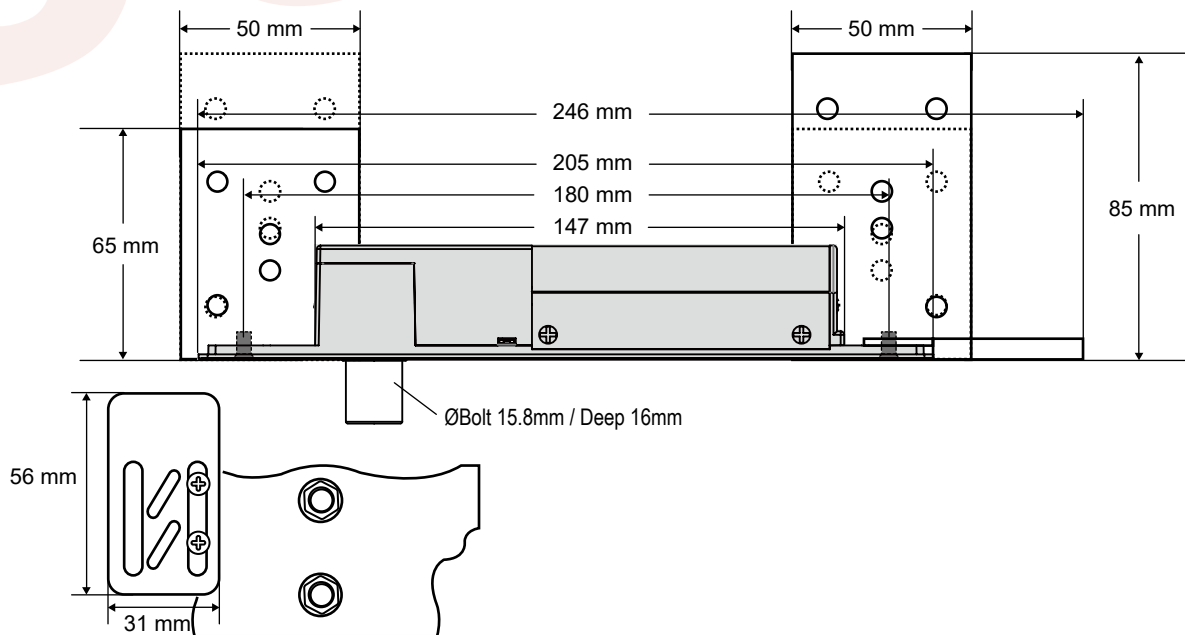
AR-1207-A-36-XXXX



Lock Size (mm)	205(L) x 32(W) x 32(H)	Bolt size (mm)	Adjustable up to 16mm
Fixed Plate Size(mm)	AR-BA-5065 : 50(W)x65(H)x2(D)	Door Stopper Bracket size (mm)	56(H)x31(W)x27(D)
	AR-BA-5085 : 50(W)x85(H)x2(D)	L Type Bracket size(mm)	40(H)x15(W)x40(D)



• Vertical View

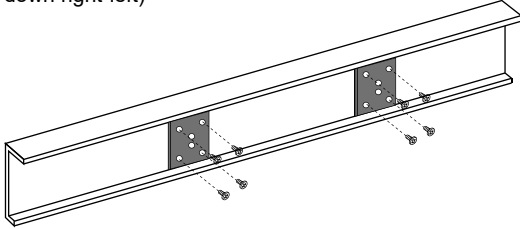


• Front View

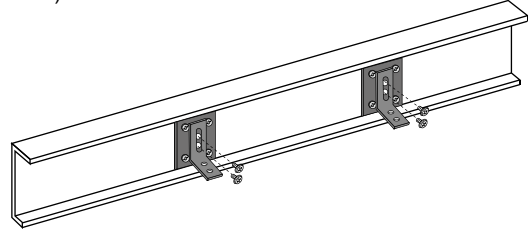
Installation Instruction

Installation Template and Steps

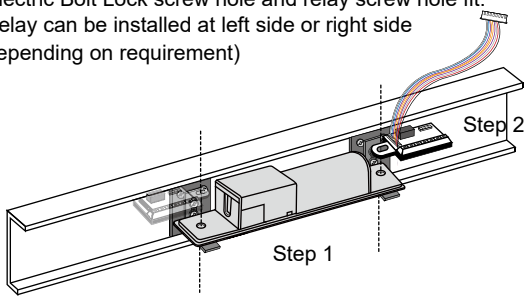
- 1** Put Fixed Plate into extrusion track of automatic sliding door. Slightly put the screws (not fasten) only for the four corners of the screw hole (bottom right-left and down right-left)



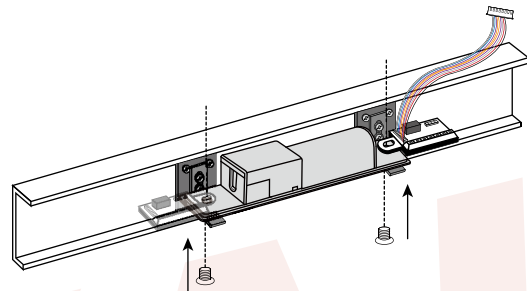
- 2** Fasten L Type Bracket into the center of the Fixed Plate and fasten the center screw hole with screws.
(※use 5mm*10mm Phillips Flat Head Screws w/ Flat Washer to fasten)



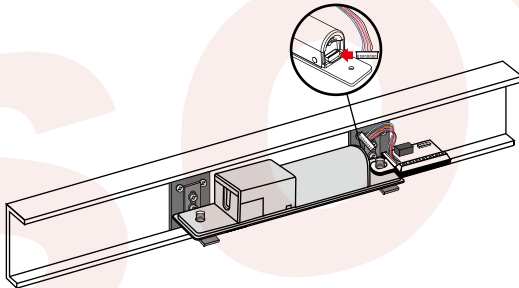
- 3** Step 1 :Place Electric Bolt Lock on L Type Bracket
Step 2 : Place the relay on Electric Bolt Lock and let the Electric Bolt Lock screw hole and relay screw hole fit.
(relay can be installed at left side or right side depending on requirement)



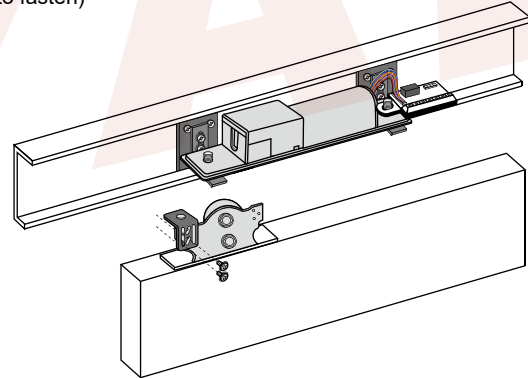
- 4** Fix the relay and the lock by screwing upwards.



- 6** Insert the Connector Cable (CN2) to Electric Bolt Lock connector pin.



- 7** Fasten Door Stopper Bracket into the Door Hanger
(※use 5mm*10mm Phillips Flat Head Screws w/ Flat Washer to fasten)



- 8** Adjust the positions of Door Stopper Bracket, Electric Bolt Lock, Fixed Plate; then fasten Fixed Plate to finish installation.

STEP 1: Adjust correct positions. If the opening direction is reverse, change the installation direction of Electric Bolt Lock, and fix the Door Stopper Bracket on the other side.

- **Door open direction to left side**

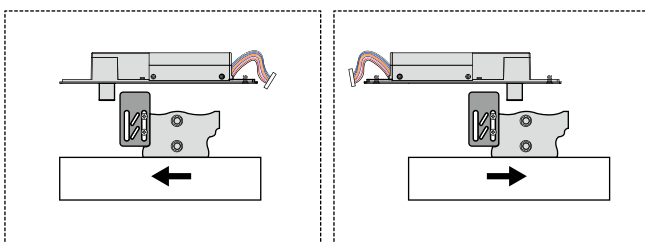
Electric Bolt Lock position: cable on the right side, bolt on the left side Door Stopper Bracket position: installed on the right corner of the door

- **Door open direction to right side**

Electric Bolt Lock position: cable on the left side, bolt on the right side Door Stopper Bracket position: installed on the left corner of the door

(Note: for double door, install lock on one side only. To decide door open to which direction, make sure to install stopper bracket in front of the the dropbolt lock.)

STEP 2: Fasten screw of Fixed Plate (from Step 1, four corners of the screw hole (bottom right-left and down right-left))



- Door open direction to left side

- Door open direction to right side

