

Installation Guide for EB-030 V1.0

Proximity touch-sensitive exit button



Doc Ver1.0

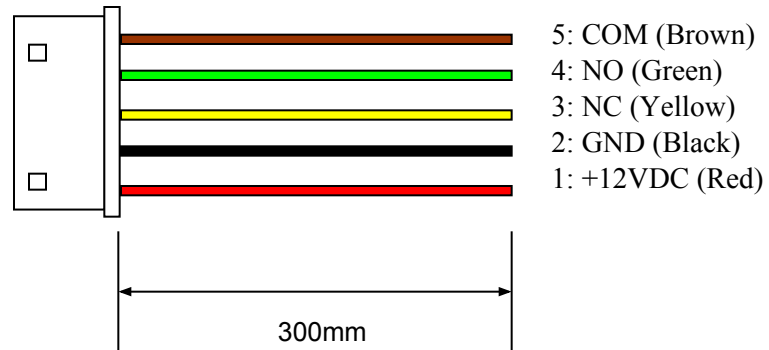
Dec.,06.2012

R&D Center

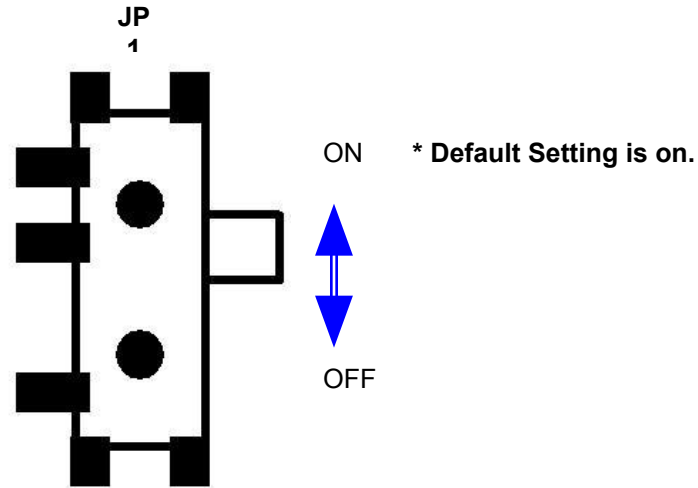
Union Community Co., Ltd.

1. Description of External Cables

External Cable (5P)

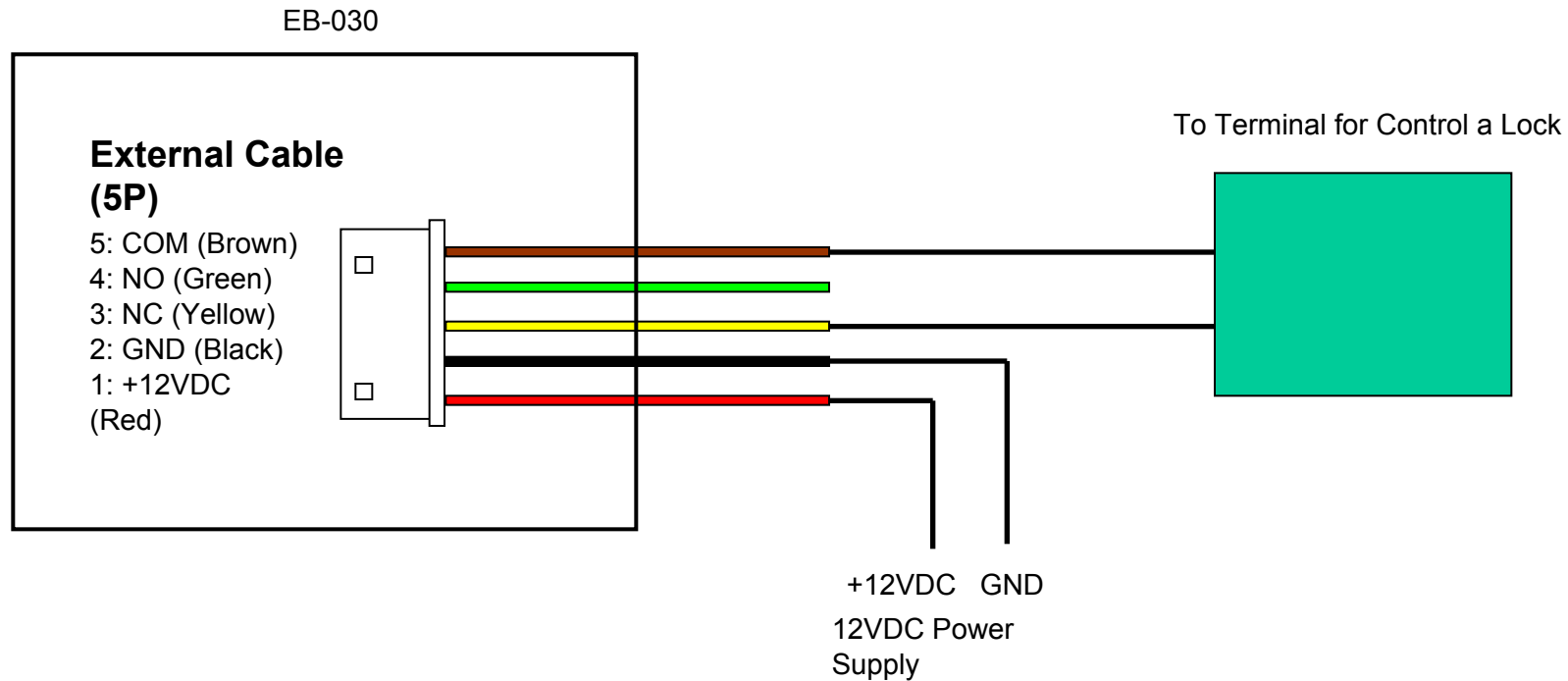


2. Setting a switch for Buzzer on/off



3. How to Connect the External Cable

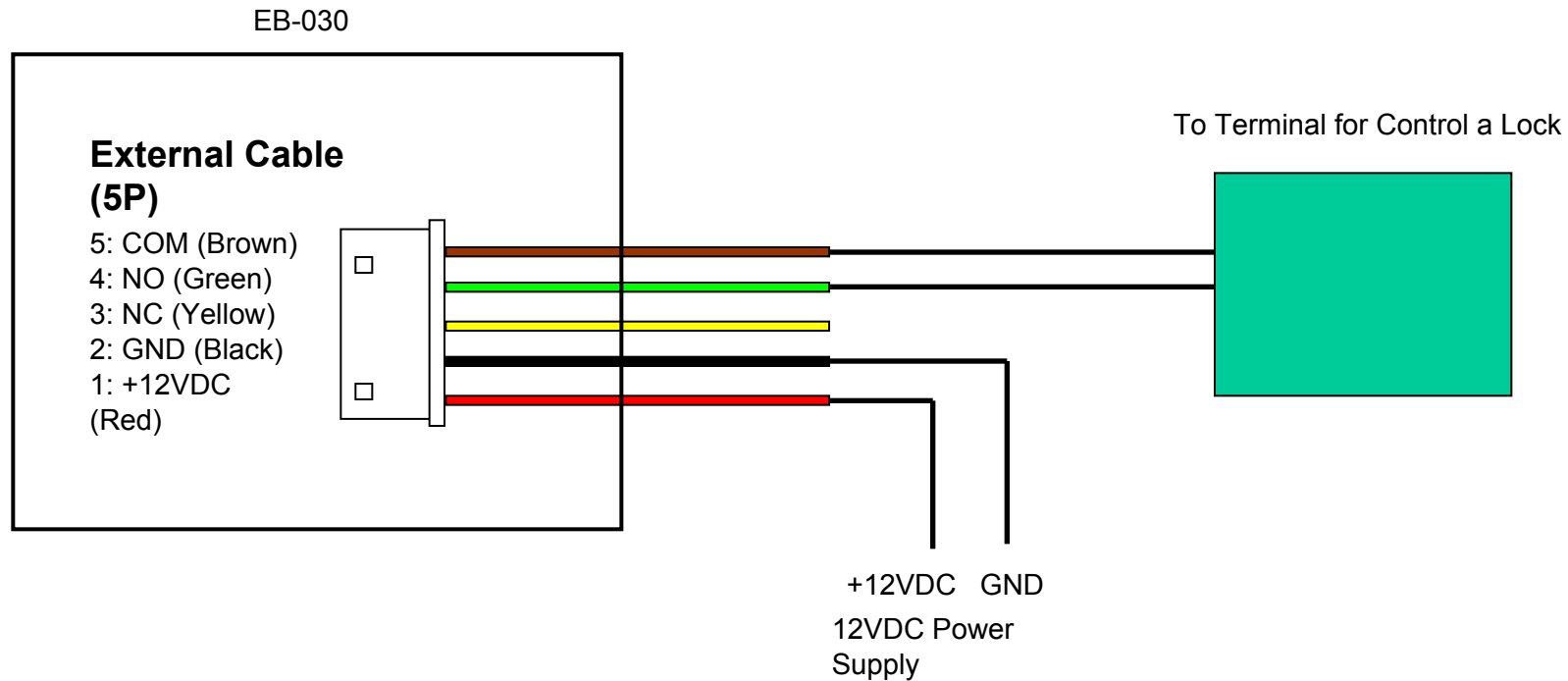
3.1. Connecting Cables For the NC Type



* You must supply +12VDC Power to the terminal after completing the installation of the EB-030 because of touch-sensitive type specification. Otherwise, it may not operate properly.

3. How to Connect the External Cable

3.2. Connecting Cables For the NO Type



* You must supply +12VDC Power to the terminal after completing the installation of the EB-030 because of touch-sensitive type specification. Otherwise, it may not operate properly.